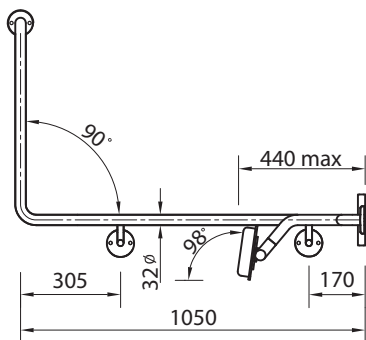
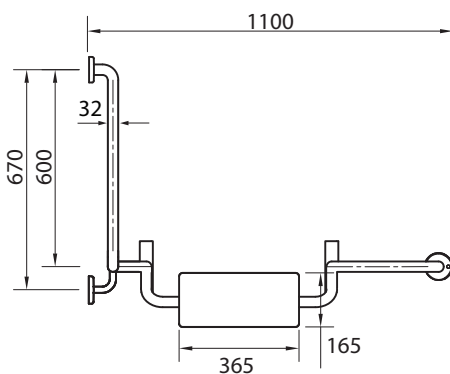


Envy Grab Rail with Backrest Combo 90° Right Hand

Product Code: PP.BR90R

The Envy Grab rail and Backrest is made from 40mm thick white polyurethane with a stainless steel support which meets the requirements of AS1428.1-2009. The backrest is site adjustable upon installation to ensure accurate location. Snap flange covers conceal the fixings. Suitable for accessible unisex sanitary facilities.



Specifications

Material	—	304 Stainless Steel, polyurethane backrest
Colour / Finish	—	White and Satin
W x D x H	—	1100 x 1089 x 748mm
Rail	—	32mm diameter
Warranty	—	1 year parts and labour
Installation	—	To ensure the rail will withstand the force stipulated in AS1428.1-2009, the fixings must be anchored in a solid wall or a secure noggin of suitable strength.

PARISI

