

Tondo Shower Shelf 350mm

Product Code: TO.SH35.XX

(see colour codes below)

The organic shape used for the Tondo accessories creates a timeless look suitable for all bathrooms.

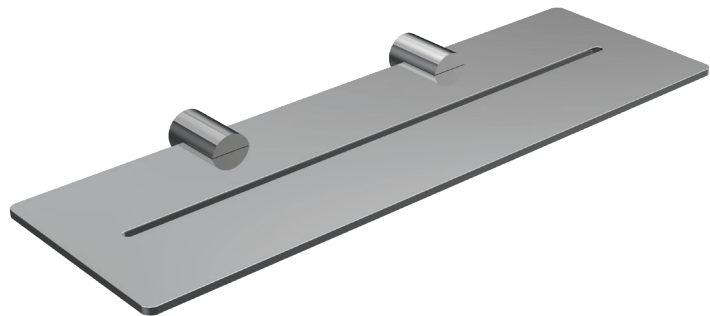
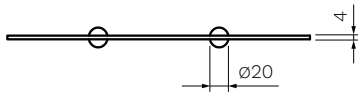
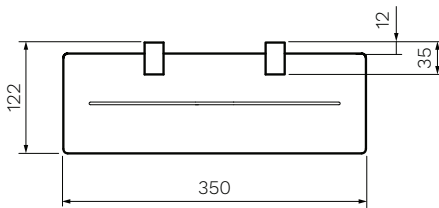


Polished
Chrome

Brushed
Nickel

Brushed
Brass

Fucile



Colour & Finish — Polished Chrome, Brushed Nickel (41),
Brushed Brass (46), Fucile (50)

Material — Brass

W x D x H — 350 x 122 x 4mm

Fixings — Dual Fixings

Warranty — 15 Years (Conditions Apply)

Note:
For a Matt Black colour option, refer to
L'Hotel Shower Shelf 350mm (LH.SH35.02)

PARISI



Note: Dimensions are in millimetres and nominal. They can vary according to material and manufacturing tolerances. Exact dimensions should be determined by measuring actual product. PARISI reserves the right to vary specifications without notice.